

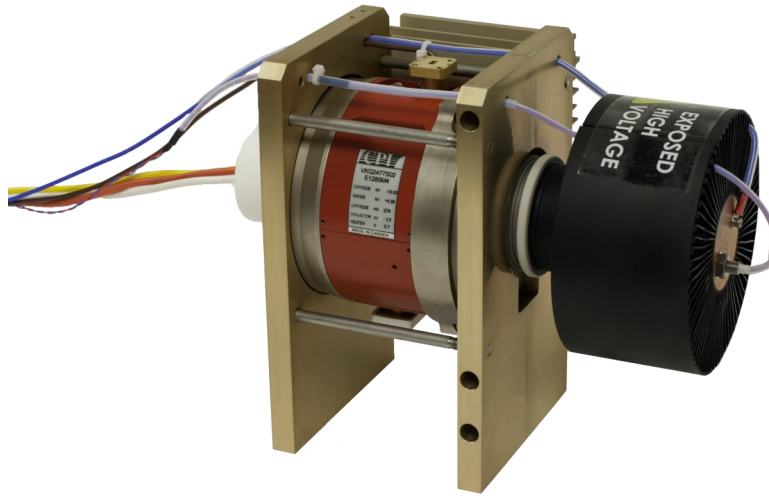
HIGH POWER mmW AMPLIFIER

48 GHz 500 Watts CW Amplifier

Model VKQ2477 is an air cooled continuous wave (CW) Extended Interaction Klystron Amplifier (EIK) used for communication applications.

Frequencies are available from 45 GHz to 50 GHz producing up to 500 Watts of CW power with a -1dB bandwidth of 500 MHz. This high gain vacuum electron device (VED) is remarkably compact, has long life and highly stable output.

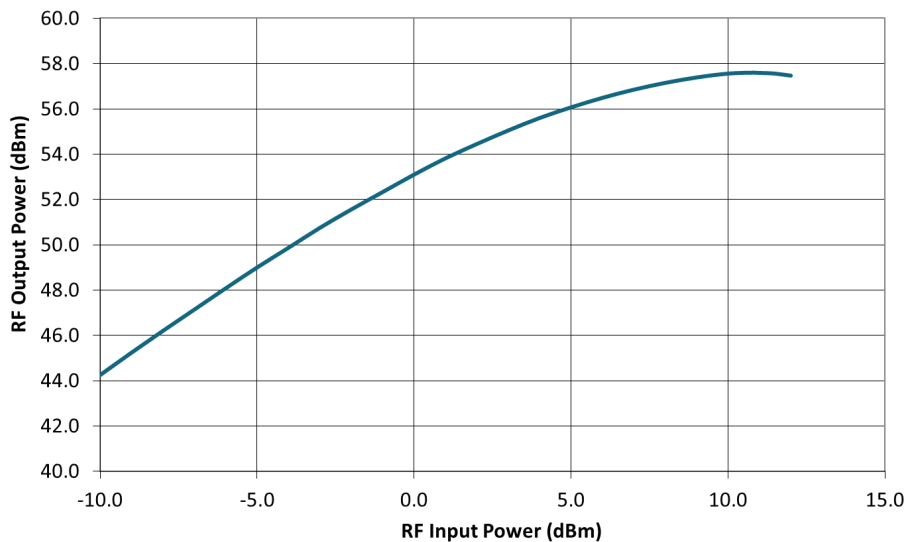
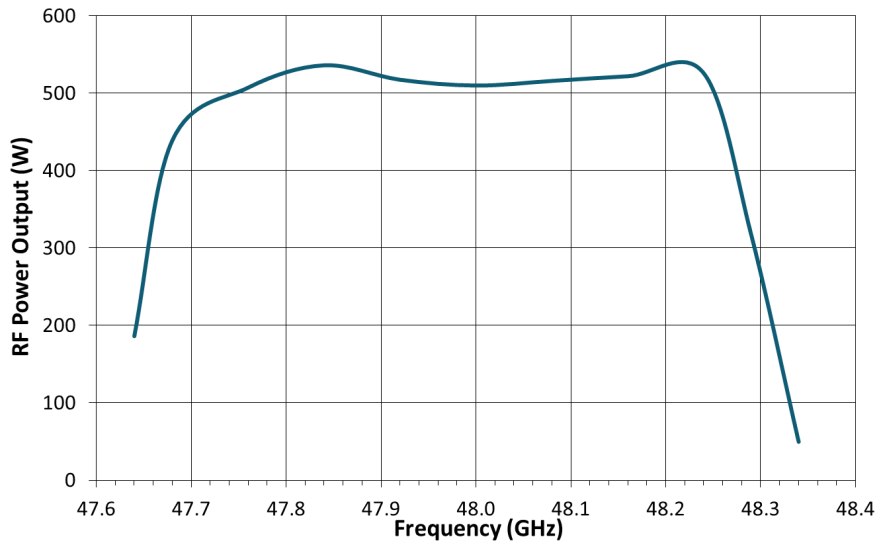
The VKQ2477 series of EIKs may be integrated with the CPI VPW2827 series power conditioner resulting in a compact self-contained and highly reliable High Power Amplifier (HPA) transmitter subsystem.

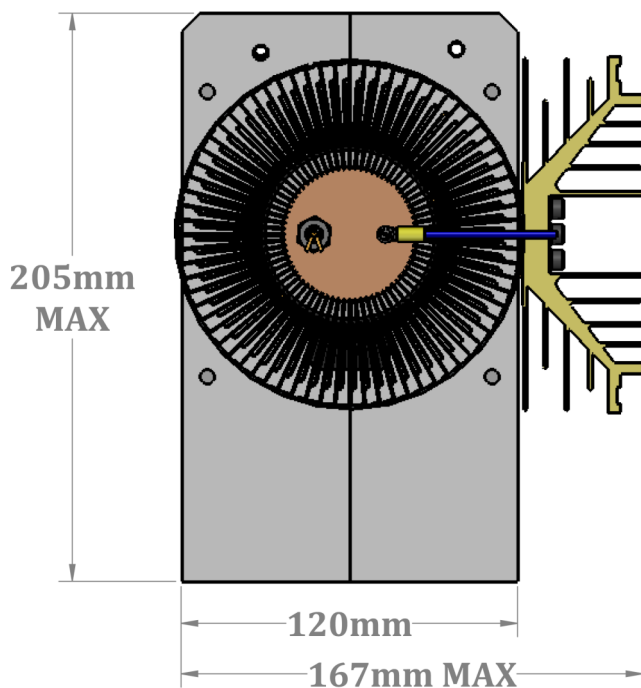
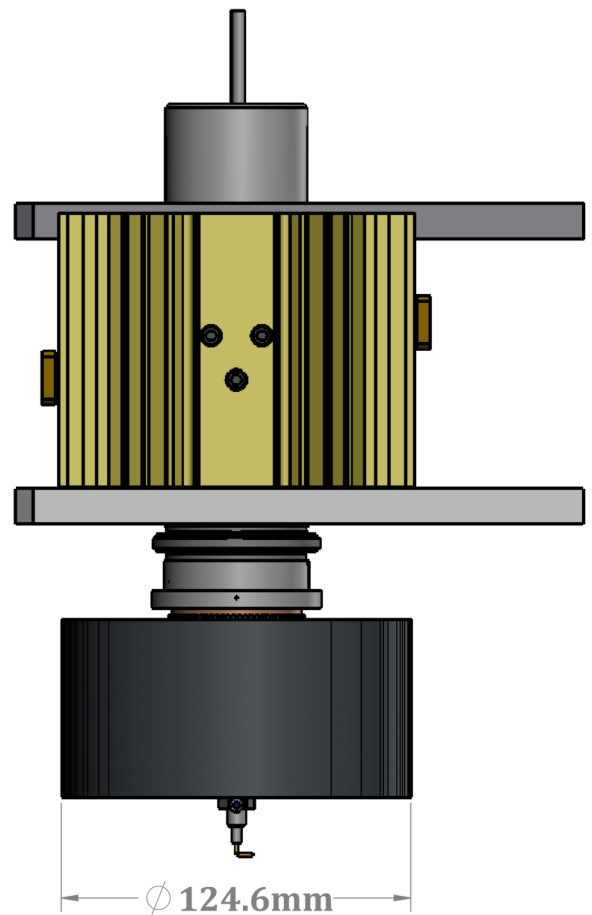
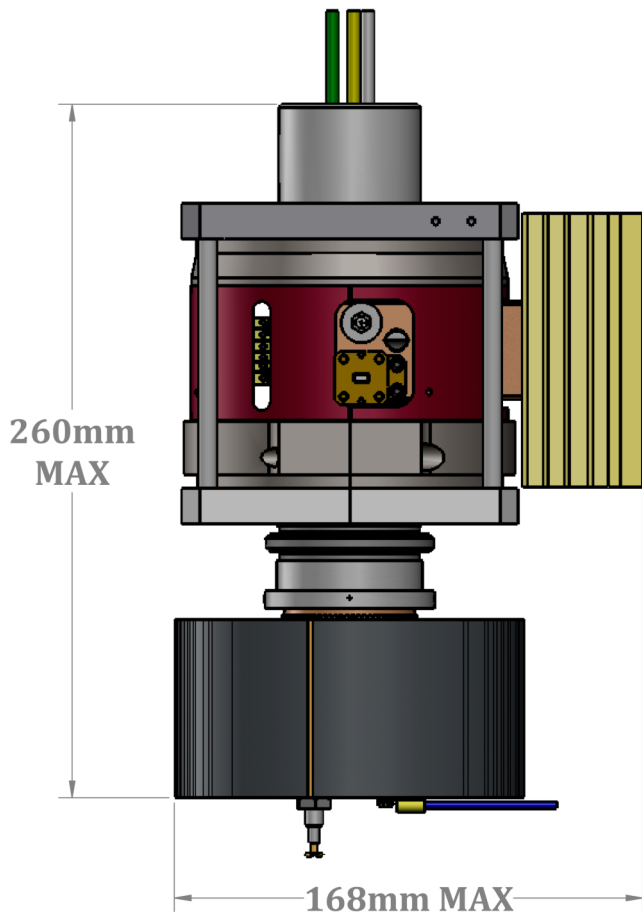


Model VKQ2477

Features	
Center Frequency	45 to 50 GHz
Power Output (CW)	500 W
Gain	45 dB
Bandwidth (-1dB)	500 MHz
Drive Power Saturation	16 mW
Cathode Voltage	-10 kV
Cathode Current	320 mA
Temperature Operating	0 to +50 °C
Temperature Non-operating	-40 to +60 °C
Humidity	95% relative non-condensing
Altitude	3,000 m

Cooling	
Type	Forced Air
Flow Rate	250 kg/hr
Pressure Drop	125 Pa





Mechanical

Waveguides	WR-22
Flanges	Rectangular WR-22
Power Supply Connections	Color Coded Flying Leads 450 mm Max. Length
Weight	14 kg Max.

Options

Fixed Center Frequency in the range of 33 – 50 GHz
Space Qualified and Air-borne EIKs
Power Supply, DC or AC Prime Power